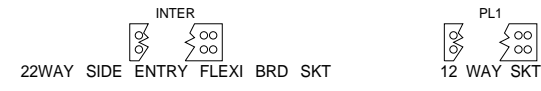


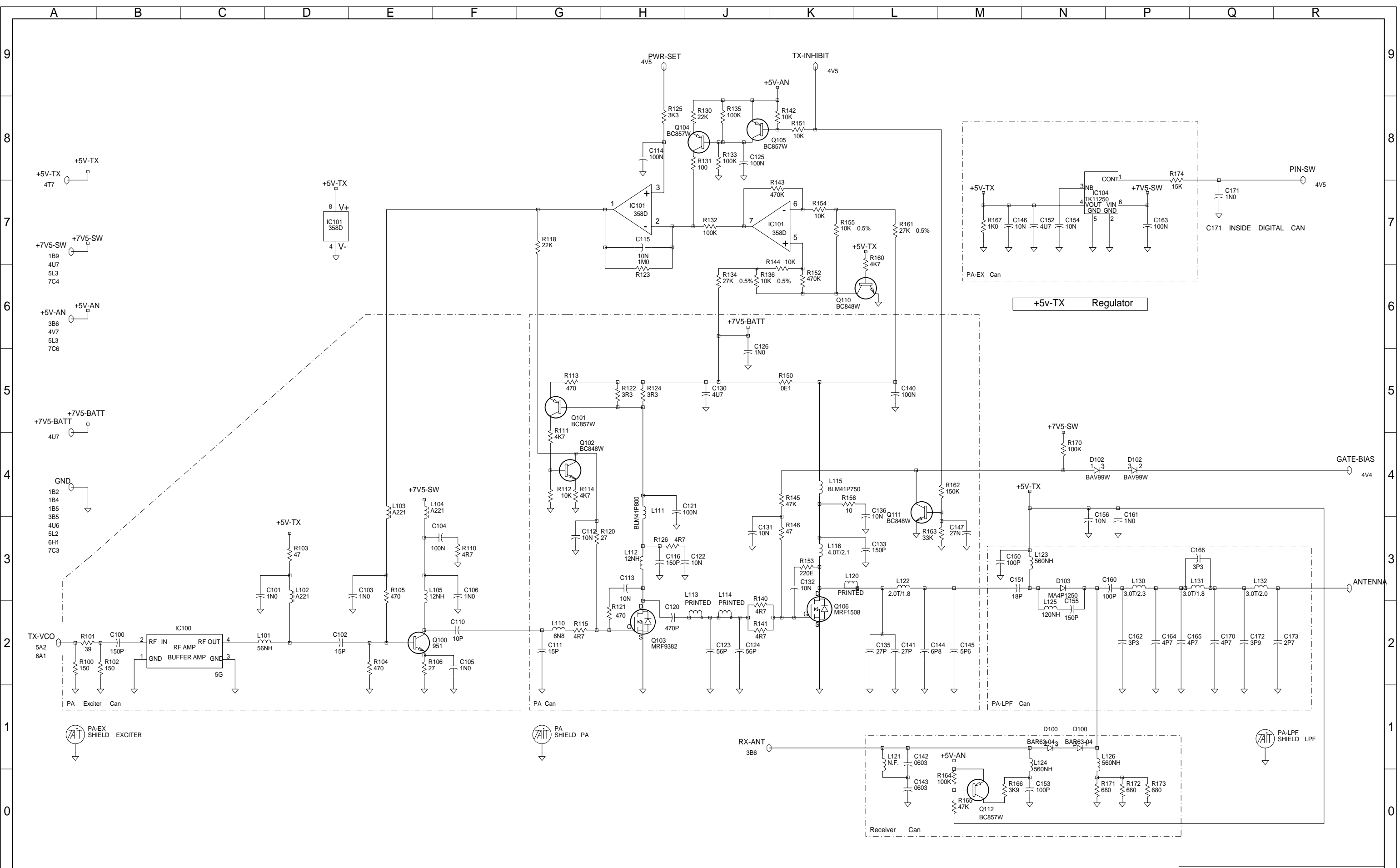
**PROCESSOR**  
252 SHEET 4  
**DSP AUDIO**

05A	CCO 1603-008 BCU TRACK 2 VIAS	TS			15-12-99
04B	CCO 1603/007	TS			18-11-99
04A	CCO 1603/004 1603/005 1603/006	CJK			05/11/99
03A	CCO 1603/003	CJK	SP		6/10/99
02A	CCO 1603/001 & 002	CJK			24/09/99
01A	NEW PA FOR 400-470 MHZ	CJK	JJ		10/06/99
REV/ISS	AMENDMENTS	DRAWN	CHKD	D.O.	APVD DATE



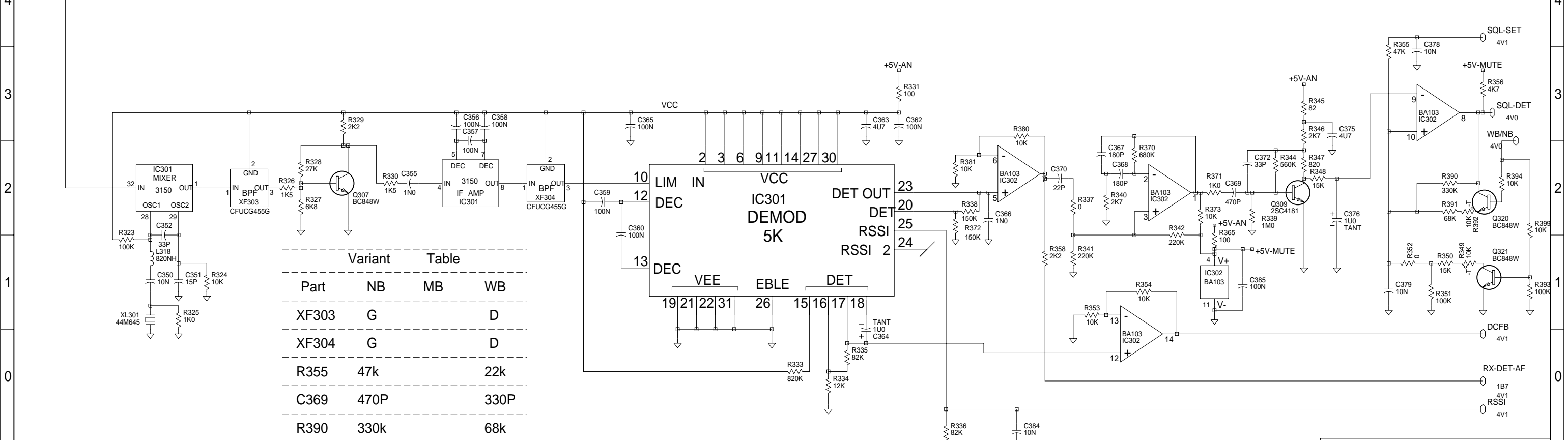
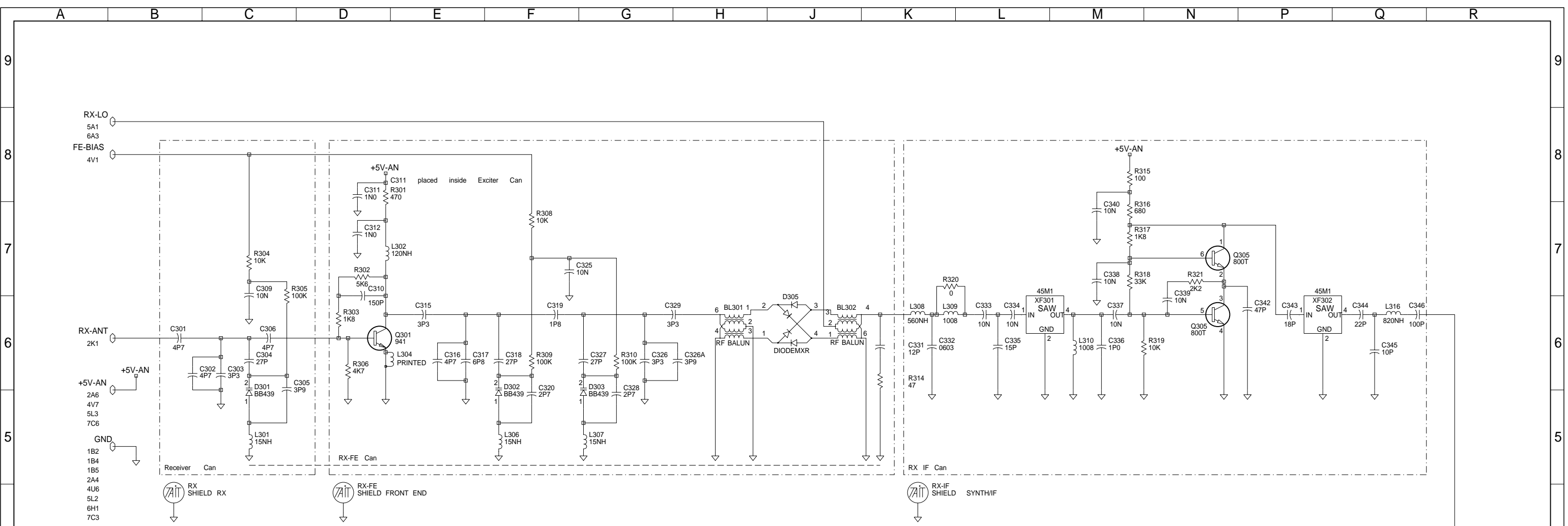
© **TAIT ELECTRONICS**  
ORCA : 400-470MHZ  
SYSTEM DIAGRAM

IPN: 220-01603-05 ISSUE: A ID: 2.S.C. 1  
PROJECT: ORCA DESIGNER: CJK/TS FILE NAME: 1603005a FILE DATE: 15-Dec-99 NO.SHEETS: 7



© TAIT ELECTRONICS  
 ORCA : 400-470MHZ  
 POWER AMPLIFIER  
 IPN: 220-01603-05 ISSUE: A ID: 2.S.C. 2  
 PROJECT: ORCA DESIGNER: CJK/TS FILE NAME: 160305a FILE DATE: 15-Dec-99 NO.SHEETS: 7

REV/ISS	AMENDMENTS	DRAWN	CHKD	D.O.	APVD	DATE
A						

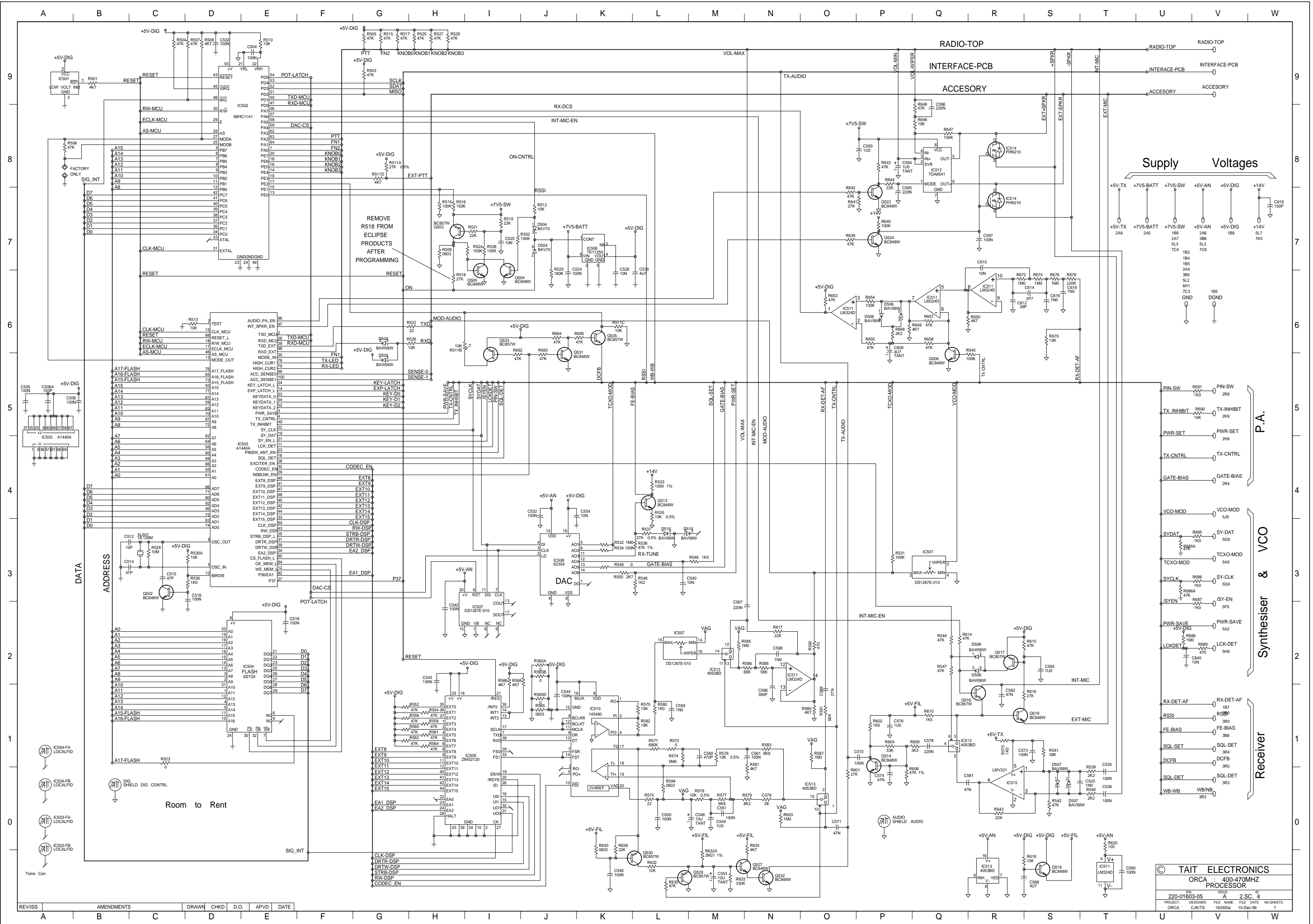


Variant Table

Part	NB	MB	WB
XF303	G		D
XF304	G		D
R355	47k		22k
C369	470P		330P
R390	330k		68k

© TAIT ELECTRONICS  
 ORCA : 400-470MHZ RECEIVER  
 IPN: 220-01603-05 ISSUE: A ID: 2.S.C. 3  
 PROJECT: ORCA DESIGNER: CJK/TS FILE NAME: 160305a DATE: 15-Dec-99 NO.SHEETS: 7

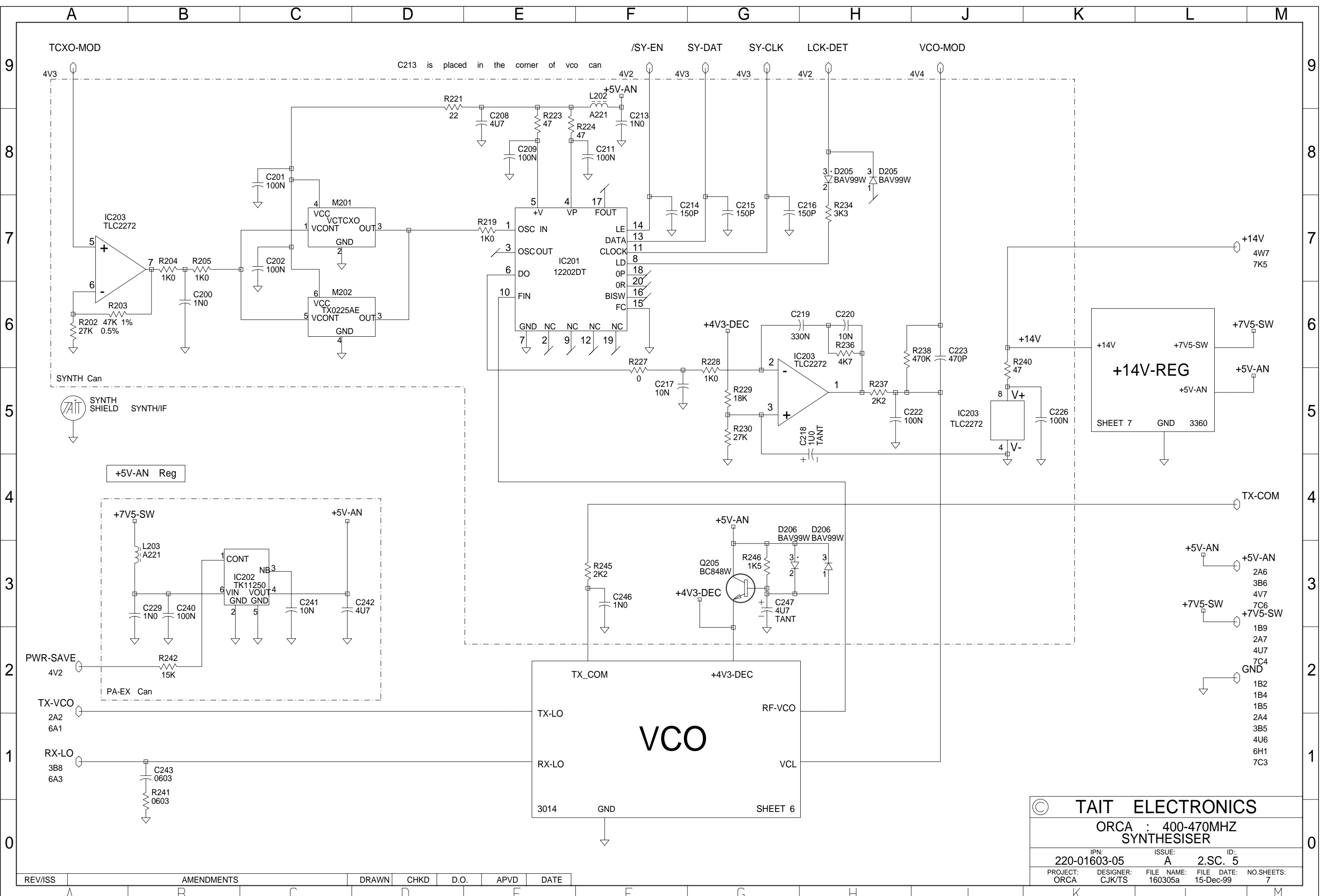
REV/ISS	AMENDMENTS	DRAWN	CHKD	D.O.	APVD	DATE



Room to Rent

TAIT ELECTRONICS  
 ORCA : 400-470MHZ  
 PROCESSOR  
 220-01603-05  
 2-SC-4  
 PROJECT: ORCA CJK/TS FILE: 160305a DATE: 15-Dec-99 SHEETS: 7

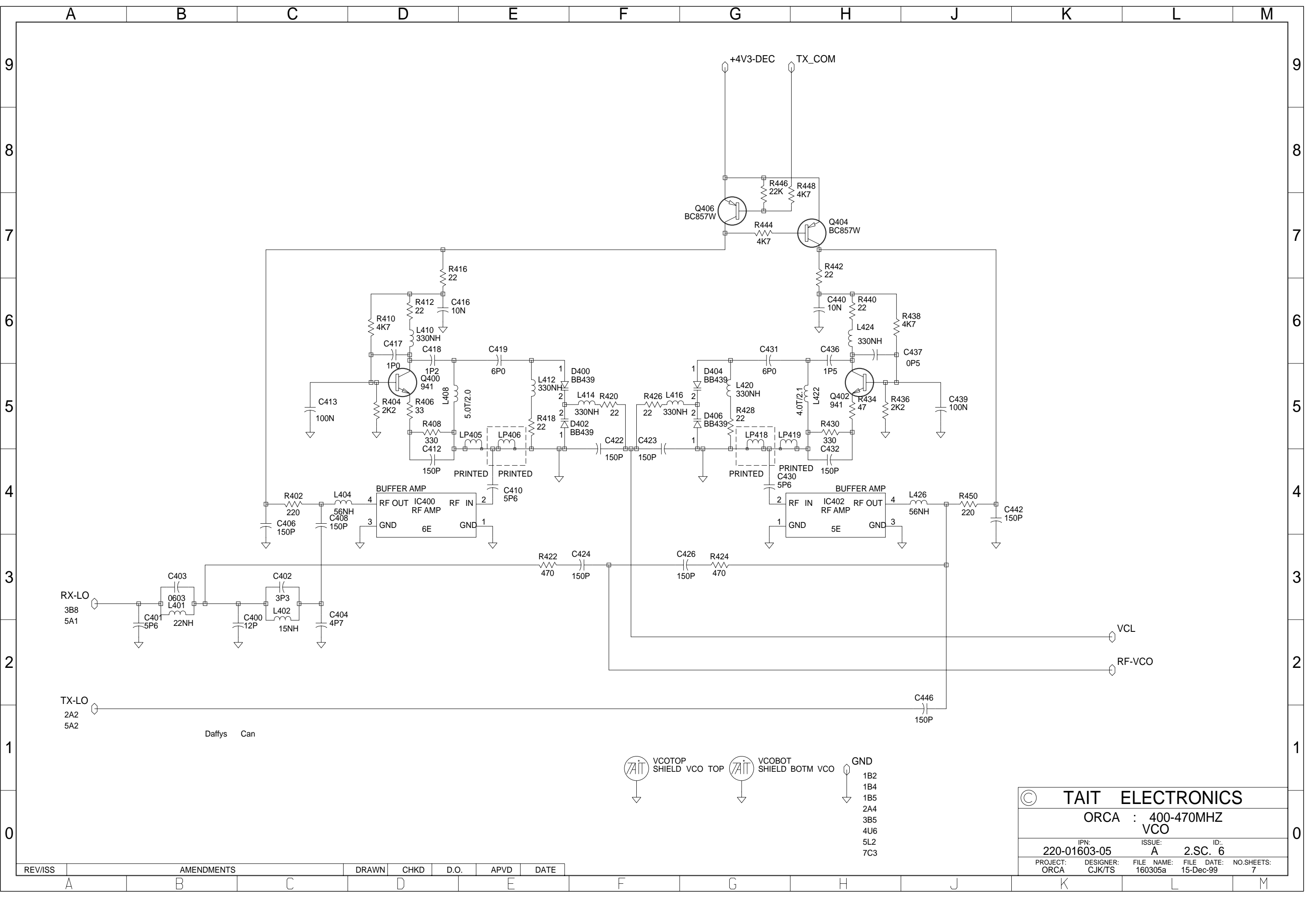
REV/ISS	AMENDMENTS	DRAWN	CHKD	D.O.	APVD	DATE
A						



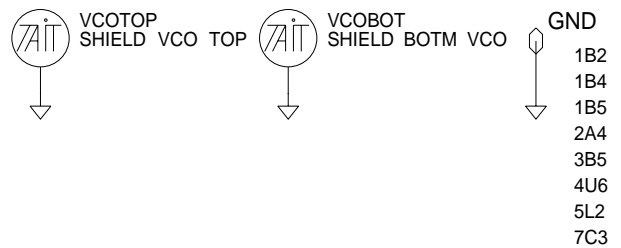
© TAIT ELECTRONICS  
 ORCA : 400-470MHZ SYNTHESISER  
 IPN: 220-01603-05 ISSUE: A ID: 2.SC. 5  
 PROJECT: ORCA DESIGNER: CJK/TS FILE NAME: 160305a FILE DATE: 15-Dec-99 NO.SHEETS: 7

REV/ISS	AMENDMENTS	DRAWN	CHKD	D.O.	APVD	DATE

- +5V-AN 2A6
- +5V-AN 3B6
- 4V7 4V7
- +7V5-SW 7C6
- +7V5-SW 1B9
- 2A7 2A7
- 4U7 4U7
- 7C4 7C4
- GND 1B2
- 1B4 1B4
- 1B5 1B5
- 2A4 2A4
- 3B5 3B5
- 4U6 4U6
- 6H1 6H1
- 7C3 7C3



Daffys Can



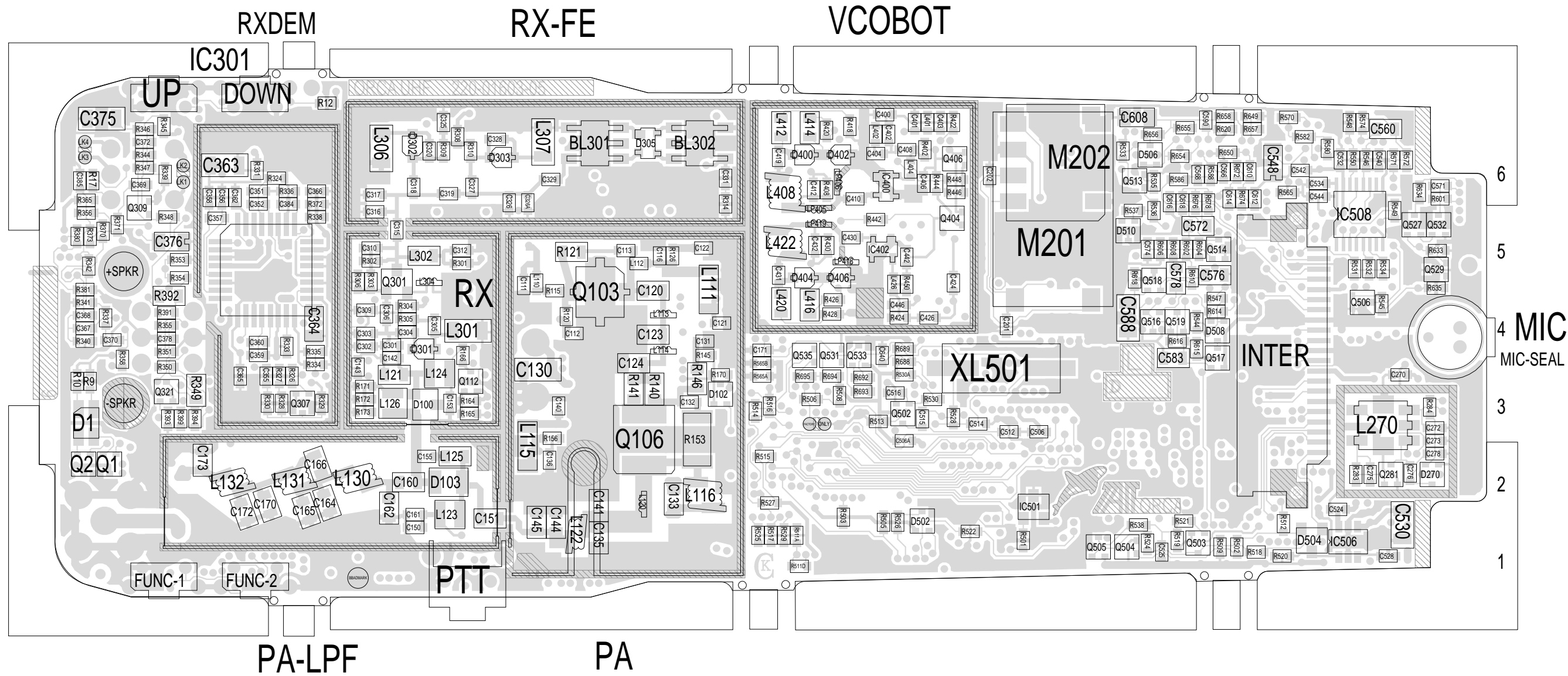
© TAIT ELECTRONICS				
ORCA : 400-470MHZ VCO				
IPN:	ISSUE:	ID:		
220-01603-05	A	2.SC. 6		
PROJECT:	DESIGNER:	FILE NAME:	FILE DATE:	NO.SHEETS:
ORCA	CJK/TS	160305a	15-Dec-99	7

REV/ISS	AMENDMENTS	DRAWN	CHKD	D.O.	APVD	DATE









TAIT ELECTRONICS IPN: 220-01603-05 ISS: A ID: 6.BA DATE: 15 Dec 1999  
 ORCA UHF PCB LAYOUT - BOTTOM SIDE

Scale: 2.3:1 ; Rotation: 0 degrees